

# Physics® Phaze with Chameleon Slide

This steel, arched climber features a series of asymmetrical rungs that challenges kids' strength and coordination. Chameleon Slide is located at the center of the arch, giving kids a thrilling goal and reward for their climb. Below the arch, horizontal bars are suspended at a variety of heights, allowing kids to climb or socialize at ground level.



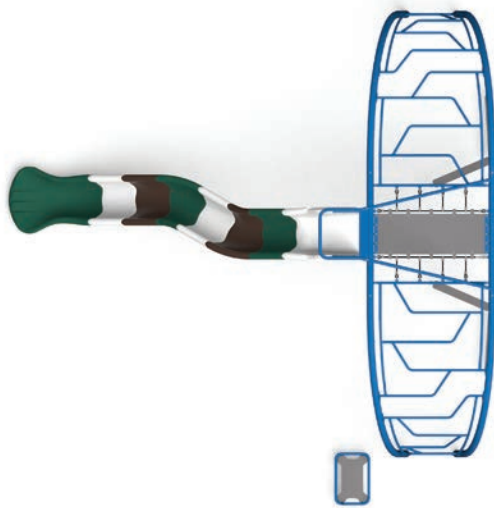
Reverse View



878 E Highway 60 / Monett, Missouri, USA 65708 / [Miracle-Recreation.com](http://Miracle-Recreation.com)  
USA 888-458-2752 CANADA 866-516-0245 INTERNATIONAL +1 417-235-6917

# Physics® Phaze with Chameleon Slide

Product	Product Number	Ages	Capacity	Product Size	Protective Area	Weight	ADA	ASTM F1487	CPSC PUB.325	CAN/CSA Z614	EN1176
Physics® Phaze W/ Chameleon Slide	463-5CHAM-C	5 - 12 (5 - 12 CSA)	15	21' x 20' x 11'2" (6.4m x 6.1m x 3.4m)	35' x 33' (10.7m x 10.1m)	1,100 lb (499 kg)		•	•	•	
Physics® Phaze W/ Chameleon Slide, Axial Link Connection	463-5CHAM-ALC	5 - 12 (5 - 12 CSA)	15	21' x 20' x 11'2" (6.4m x 6.1m x 3.4m)	35' x 33' (10.7m x 10.1m)	1,100 lb (499 kg)		•	•	•	
Physics® Phaze W/ Chameleon Slide LH, Axial Link Connection	463-5CHAM-ALL	5 - 12 (5 - 12 CSA)	15	21' x 14' x 11'2" (6.4m x 4.3m x 3.4m)	29' x 35' (8.8m x 10.7m)	1,100 lb (499 kg)		•	•	•	
Physics® Phaze W/ Chameleon Slide RH, Axial Link Connection	463-5CHAM-ALR	5 - 12 (5 - 12 CSA)	15	21' x 14' x 11'2" (6.4m x 4.3m x 3.4m)	29' x 35' (8.8m x 10.7m)	1,100 lb (499 kg)		•	•	•	
Physics® Phaze W/ Chameleon Slide LH	463-5CHAM-L	5 - 12 (5 - 12 CSA)	15	21' x 14' x 11'2" (6.4m x 4.3m x 3.4m)	29' x 35' (8.8m x 10.7m)	1,100 lb (499 kg)		•	•	•	
Physics® Phaze W/ Chameleon Slide RH	463-5CHAM-R	5 - 12 (5 - 12 CSA)	15	21' x 14' x 11'2" (6.4m x 4.3m x 3.4m)	29' x 35' (8.8m x 10.7m)	1,100 lb (499 kg)		•	•	•	

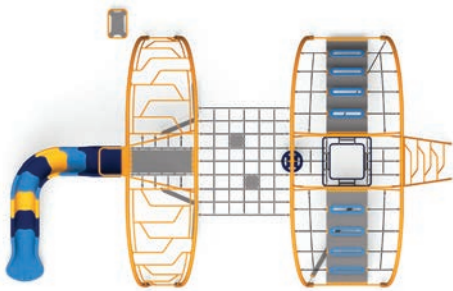


Customize the Physics Phaze by adding the below products.

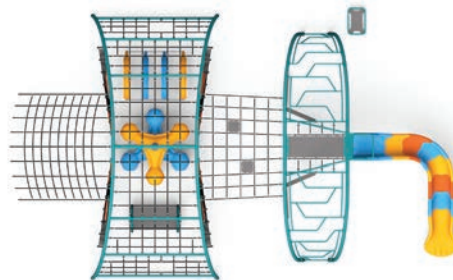
- Physics Phaze
- Physics Crescent
- Physics New Moon

## Endless Configurations!

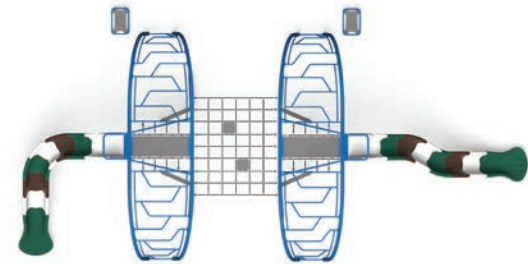
- Phaze + Crescent
- Phaze + New Moon + Crescent
- Phaze + New Moon
- Crescent + New Moon
- Phaze + New Moon + Phaze
- Crescent + New Moon + Crescent
- New Moon + New Moon
- Phaze + Phaze
- Crescent + Crescent



Physics® Phaze + Physics® Crescent



Physics® New Moon + Physics® Phaze



2 Physics® Phazes



878 E Highway 60 / Monett, Missouri, USA 65708 / [Miracle-Recreation.com](http://Miracle-Recreation.com)  
**USA** 888-458-2752 **CANADA** 866-516-0245 **INTERNATIONAL** +1 417-235-6917

## Material Specifications

Frame: Phyzics Phaze frame shall be constructed from 3-1/2" O.D. x 11-gauge galvanized tubing, 1-5/8" x 11-gauge galvanized tubing, 1-5/16" 11 and 14-gauge galvanized tubing, and 1" x 14-gauge galvanized tubing.

Ropes: Rope shall be constructed of 16 mm diameter, steel reinforced nylon braided rope with heavy duty aluminum joints hydraulically pressed into position (with a bursting strength in excess of 2.5 metric tons), and galvanized foundation steelwork. The nylon rope is specially woven to produce a durable yet extremely soft covering.

Flexthead: Flexthead is cut out in a rectangle form with fingers that are used to wrap around the 16mm steel reinforced nylon braided rope with a galvanized foundation steel work, and attached at the ends with 11-gauge galvanized sheet metal.

Arch Climbers: The arch climbers are constructed of 1-5/16" O.D. 14-gauge galvanized tube welded.

Hanging seats: the hanging seats are constructed of 2" 12-gauge galvanized square tube with 11ga sheet steel caps fully welded. A Mira-Lean is bolted to the top of the weldment.

Platform: the platform is constructed of 1-5/16" O.D. 14-gauge galvanized tube, 2-3/8" O.D. 12-gauge galvanized tube, and 7ga sheet steel plate fully welded. A Mira-Lean is bolted to the top of the weldment.

Chameleon Slide: the bedway section, entry, and exit sections shall be constructed of double wall Rockite.

Chameleon Slide support legs: support legs shall be constructed of 1.66O.D. x 13ga tube and a mounting bracket of 7ga sheet, solid welded. The front leg shall be constructed of 1.5" x 16ga square tube and a bracket of 7ga galvanized sheet steel. The leg bracket shall be constructed of 7ga. Galvanized sheet steel, solid welded.

Finish: All metal weldments shall be finished in Mira-Cote.

Fasteners: All hardware shall be Fastener Style A.

